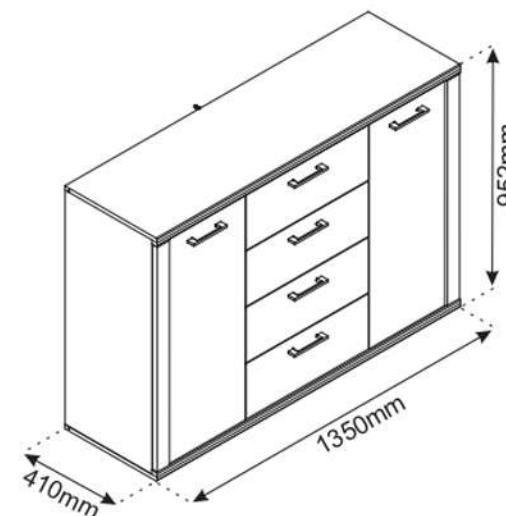
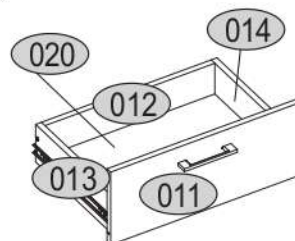
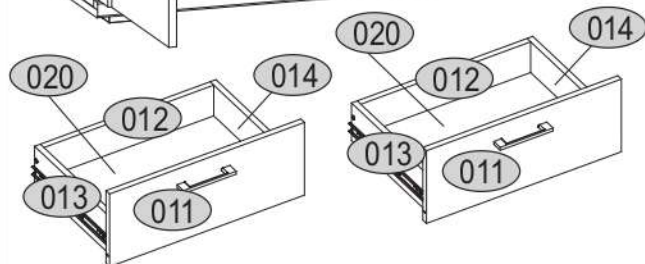
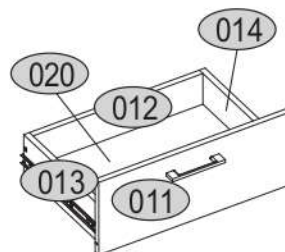
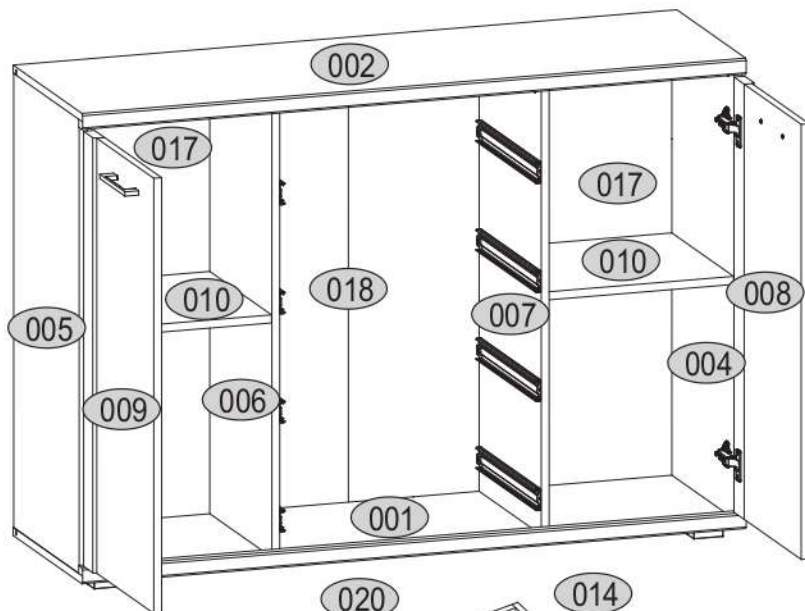
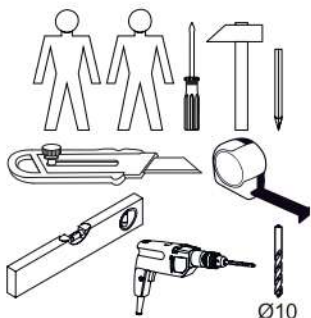
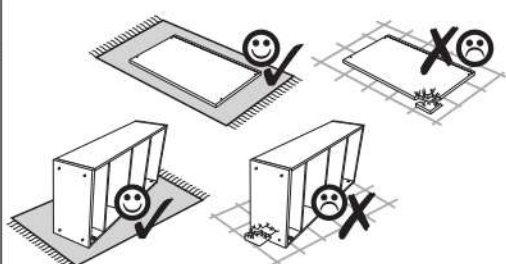
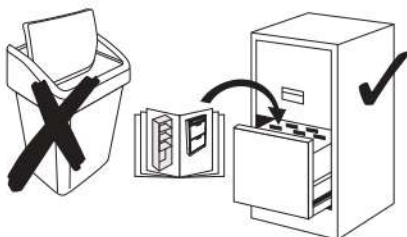




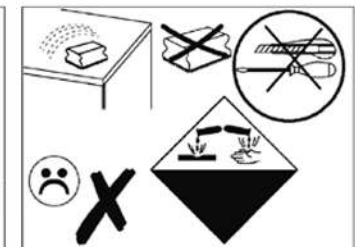
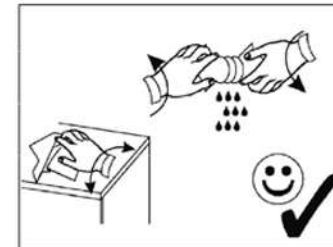
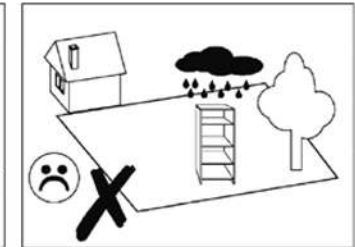
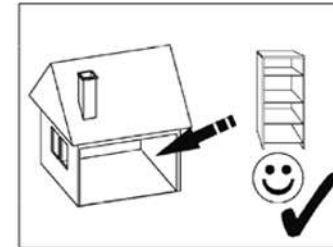
# CONRAD 2D4S

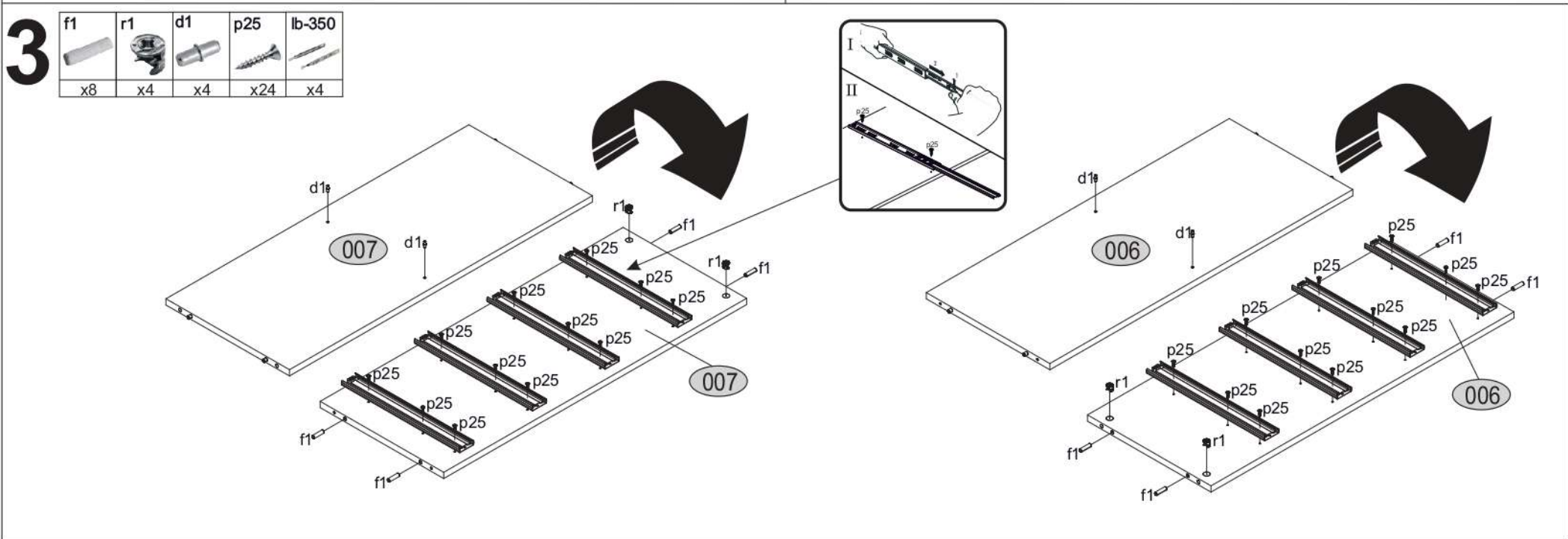
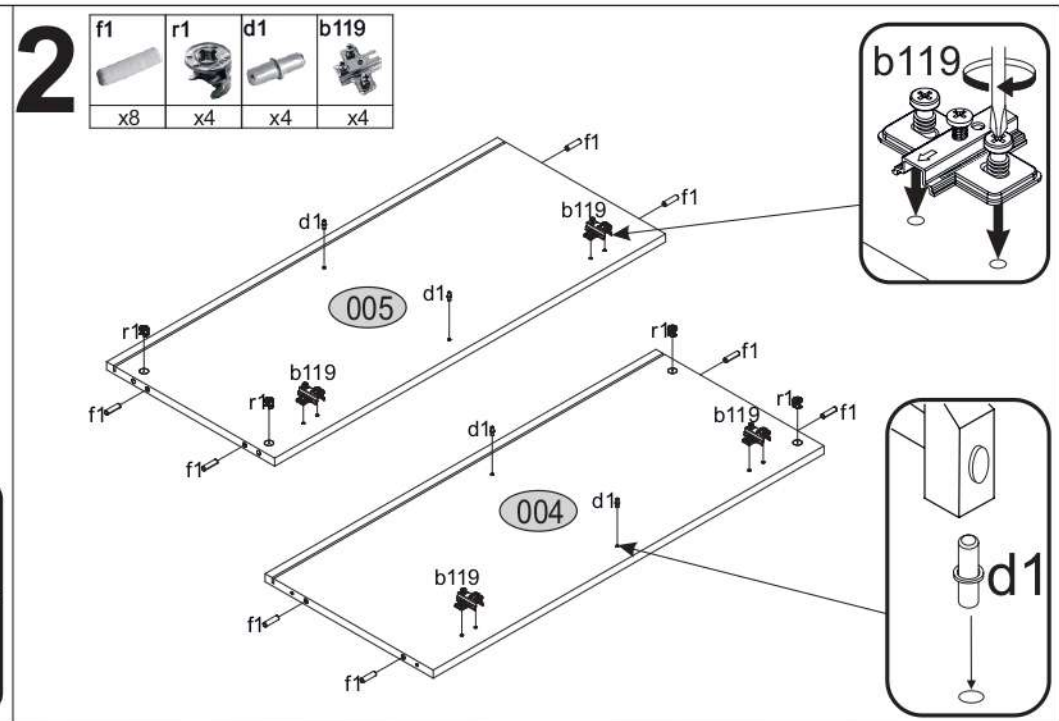
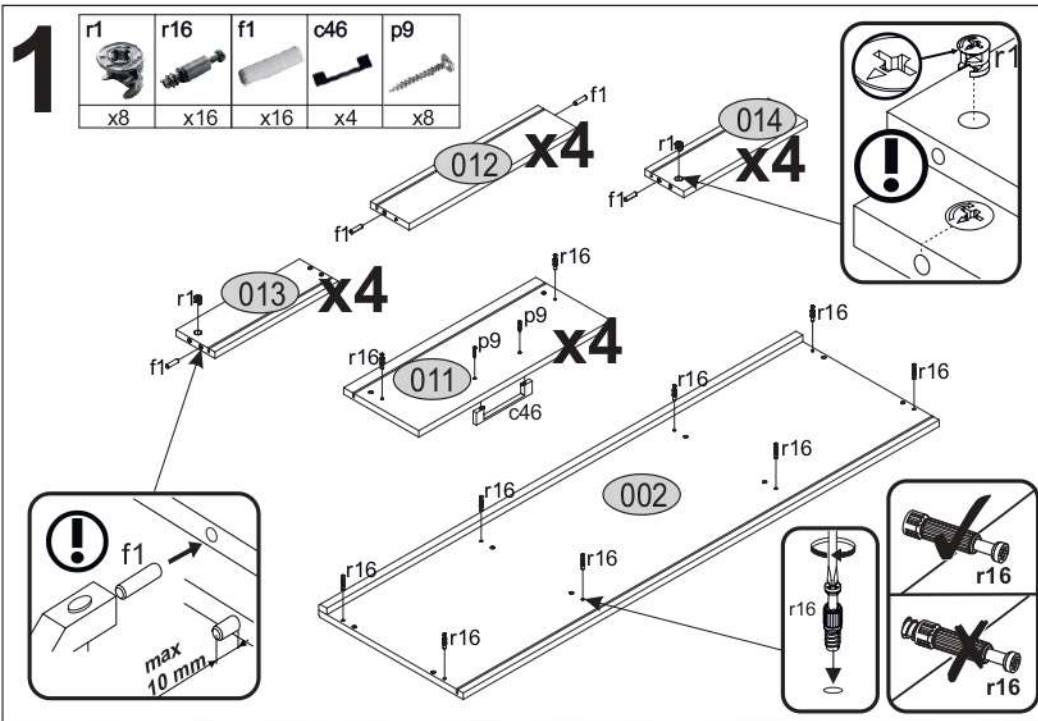


KODA	DIMENZIJE			PAKET
001	1350	410	16/32	1 / 2/3
002	1350	410	16/32	1 / 2/3
004	900	387	16	1 / 2/3
005	900	387	16	1 / 2/3
006	900	367	16	1 / 1/3
007	900	367	16	1 / 1/3
008	862	397	16/22	1 / 3/3
009	862	397	16/22	1 / 3/3
010	376	365	16	2 / 2/3
011	545	213	16	4 / 1/3
012	475	110	16	4 / 1/3
013	350	110	16	4 / 1/3
014	350	110	16	4 / 3/3
017	918	393	2,5	2 / 2/3
018	918	274	2,5	2 / 2/3
020	352	493	2,5	4 / 2/3
<b>DODATKI</b>				1 / 1/3



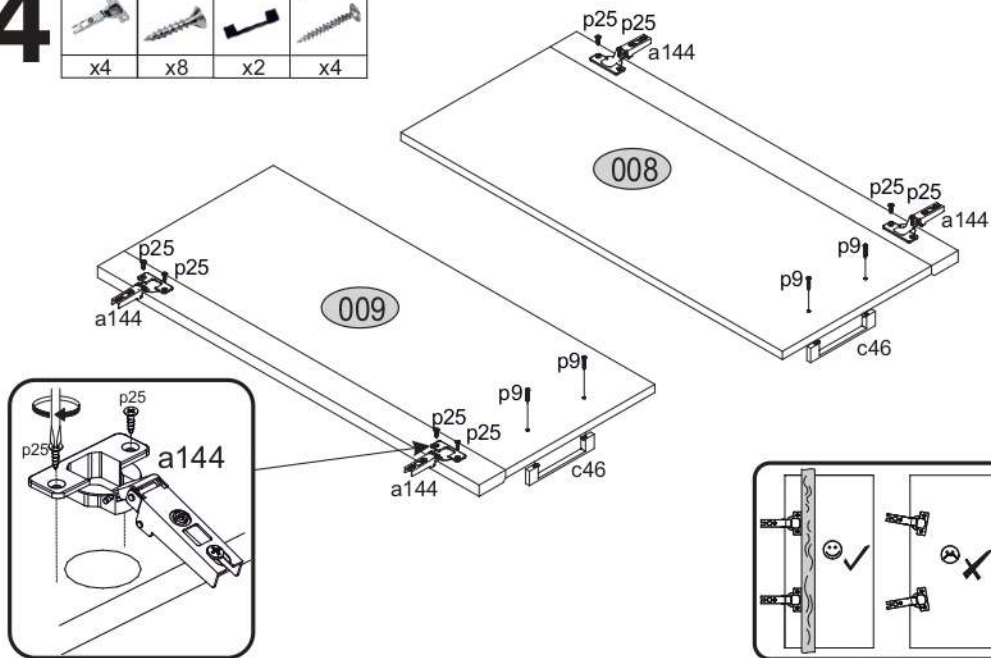
<b>16x e1</b> $\varnothing 7 \times 50$ 	<b>32x f1</b> $\varnothing 8 \times 30$ 	<b>1x f3</b> 	<b>1x n14</b> 
<b>1x p17</b> $\varnothing 6 \times 50$ 	<b>72x p25</b> $\varnothing 3.5 \times 16$ 	<b>16x r1</b> <b>15x12</b> 	<b>16x r16</b> $\varnothing 5 \times 24$ 
<b>16x s2</b> 	<b>1x z1</b> 	<b>12x p9</b> 	<b>12x p18</b> 
<b>4x a144</b> 	<b>4x b119</b> 	<b>6x c46</b> 	<b>12x l2</b> 
<b>2x n260.01</b> 	<b>8x d1</b> 	<b>4x lb-350</b> 	<b>6x k311.05</b> 





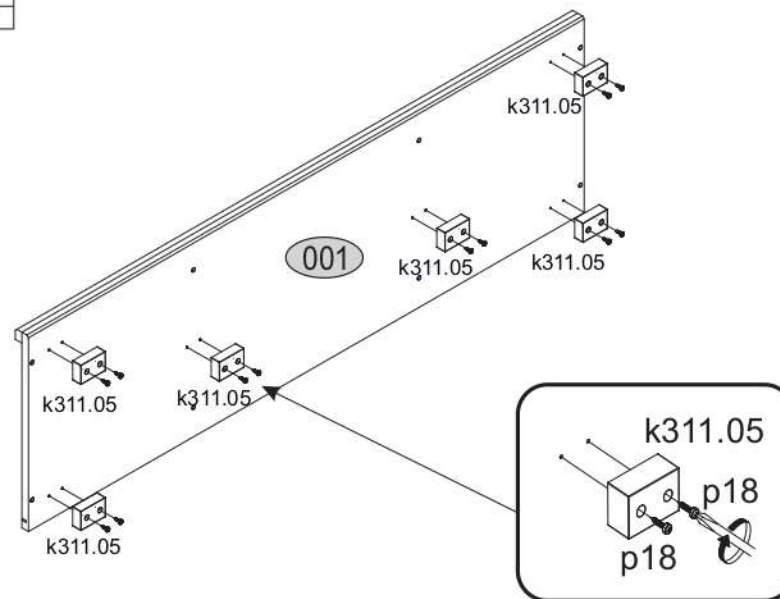
# 4

a144	p25	c46	p9
x4	x8	x2	x4



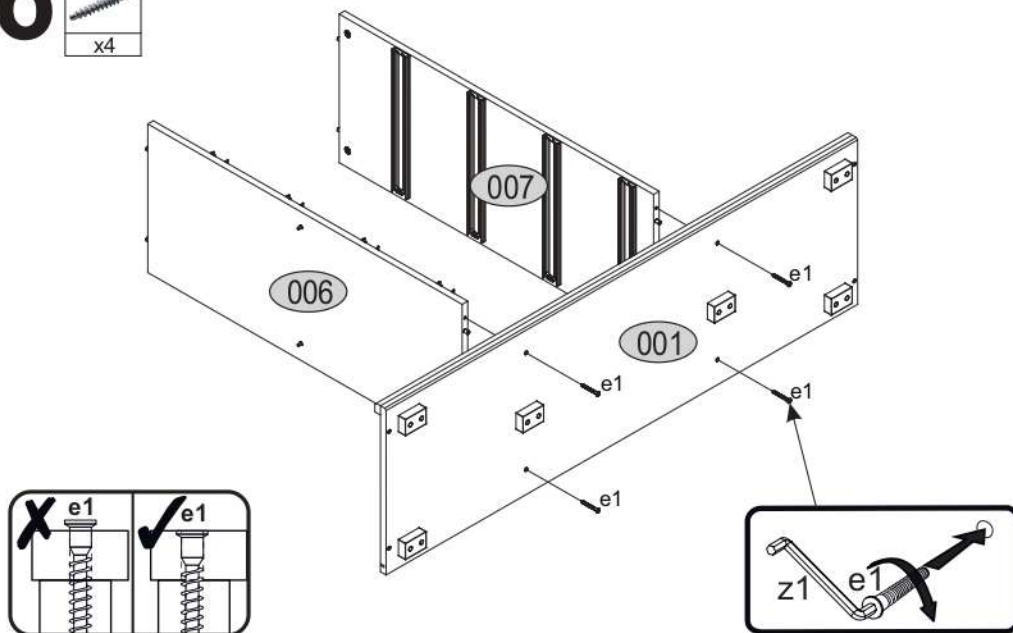
# 5

k311.05	p18
x6	x12



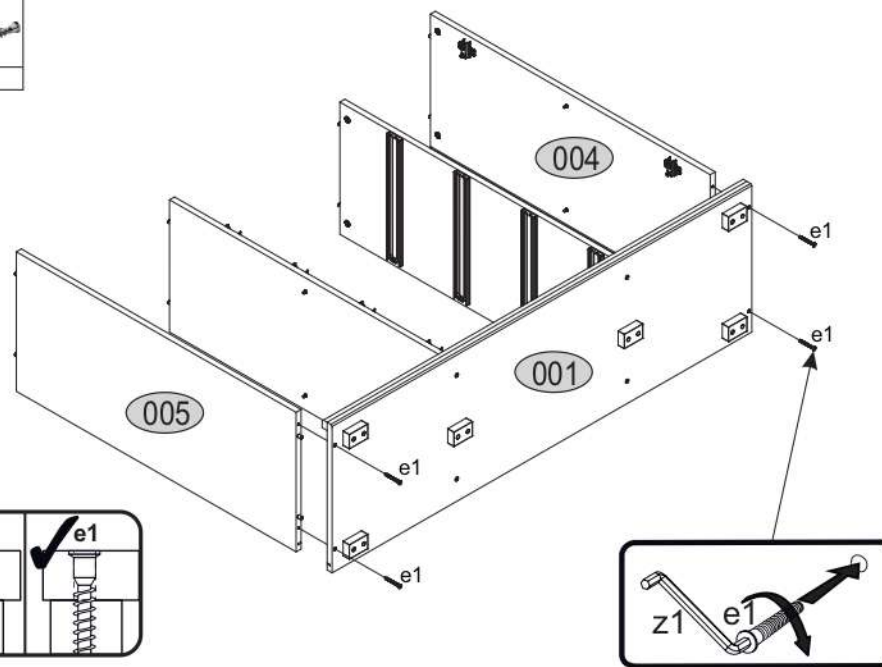
# 6

e1
x4

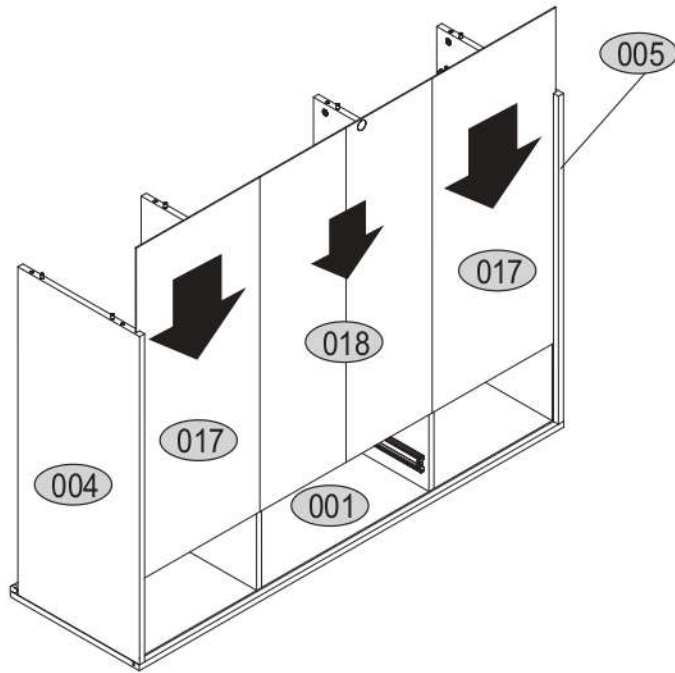


# 7

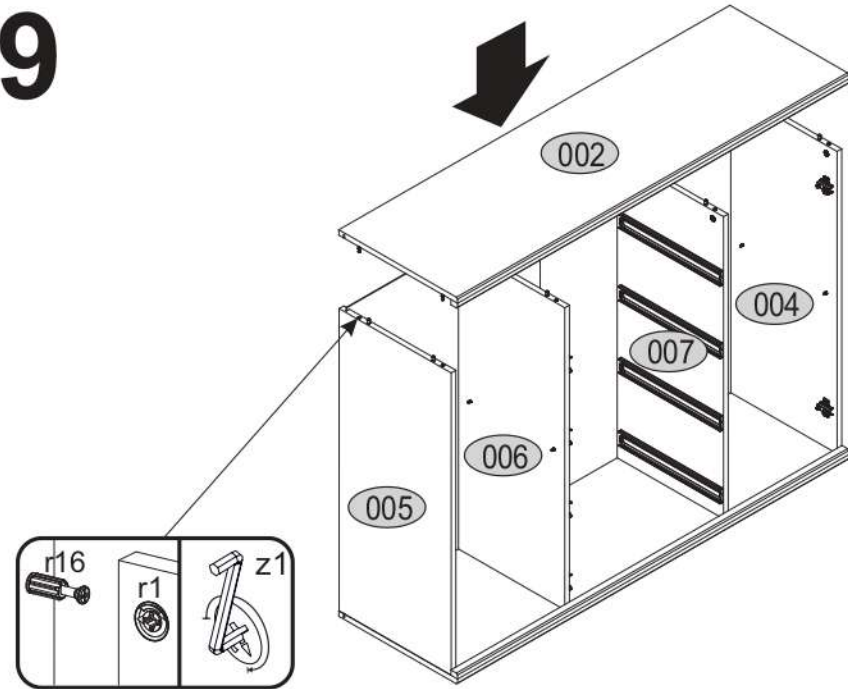
e1
x4



# 8

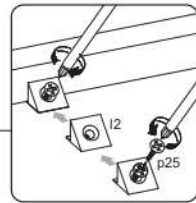
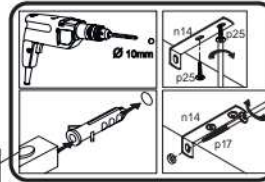
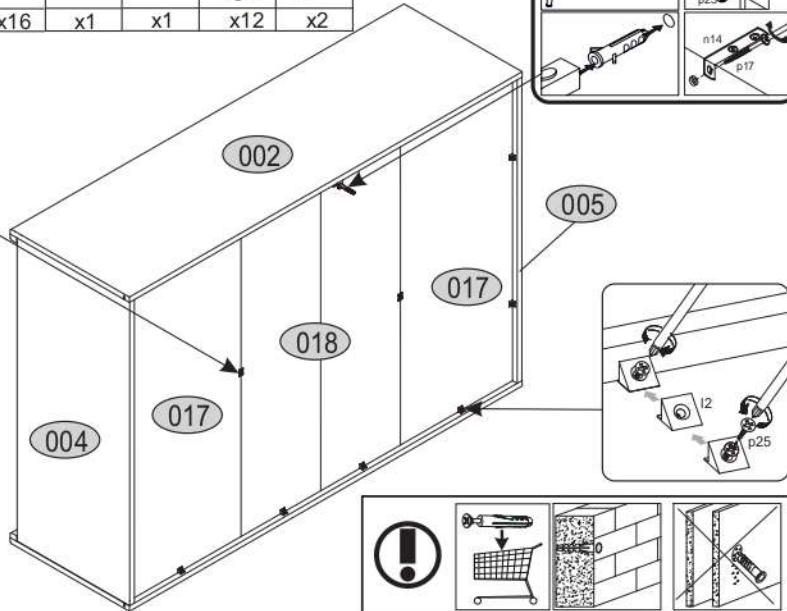
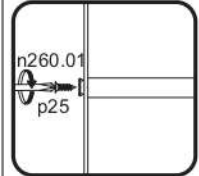


# 9

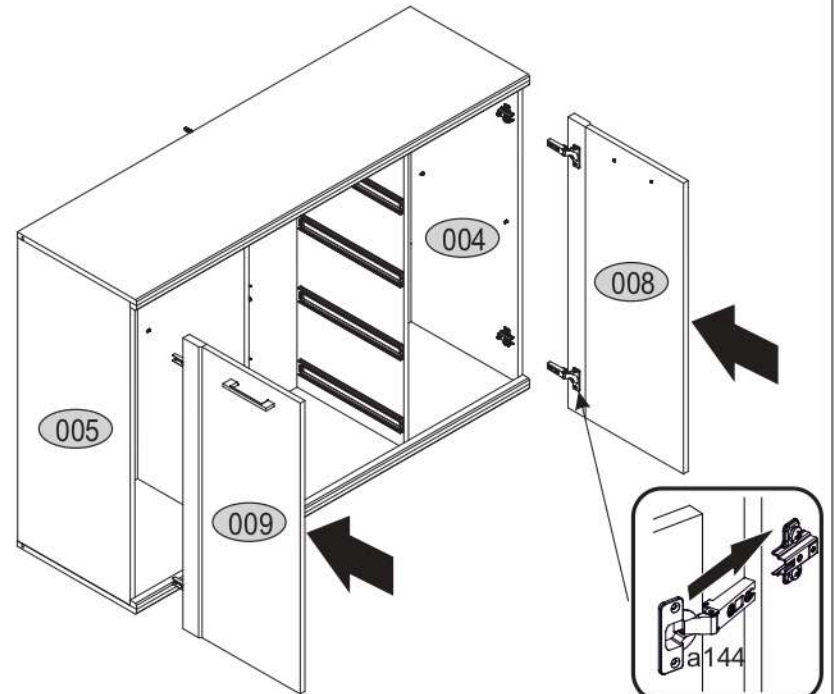
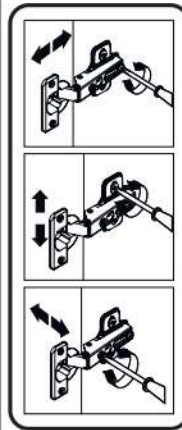


# 10

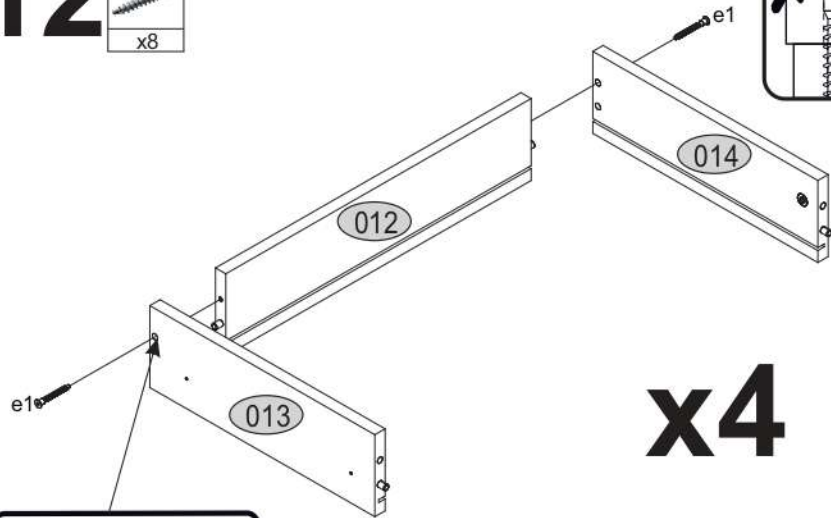
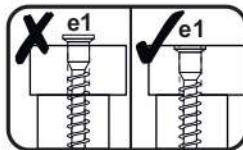
n14	p25	p17	f3	l2	n260
x1	x16	x1	x1	x12	x2



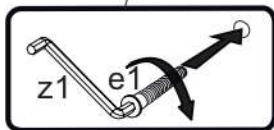
# 11



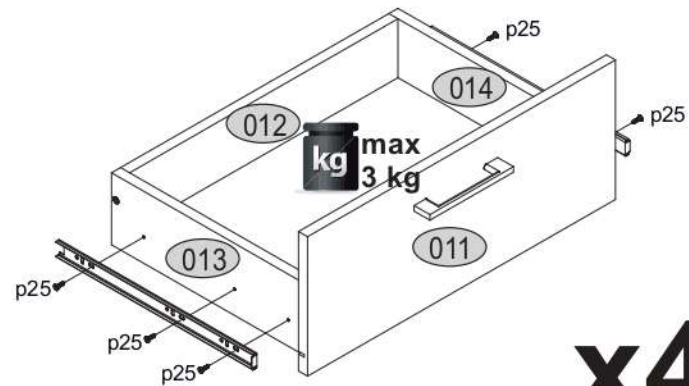
12   
x8



x4



13   
x24   
x4

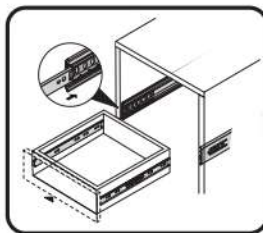
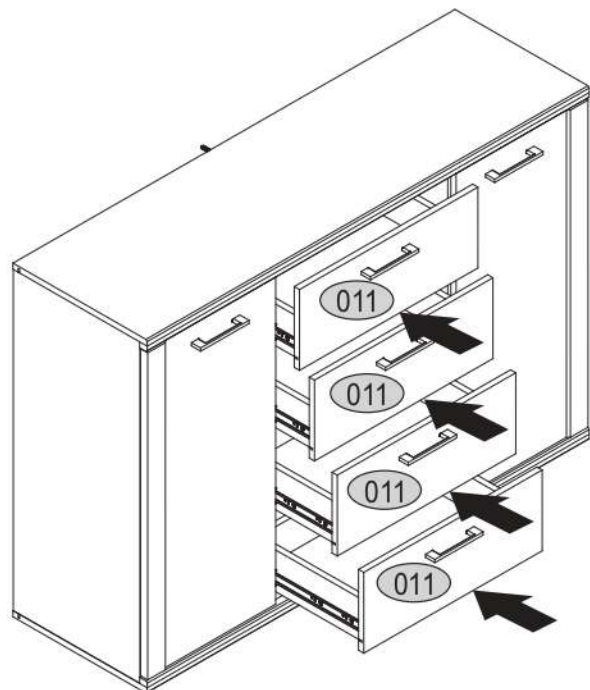


kg max  
3 kg

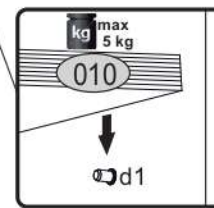
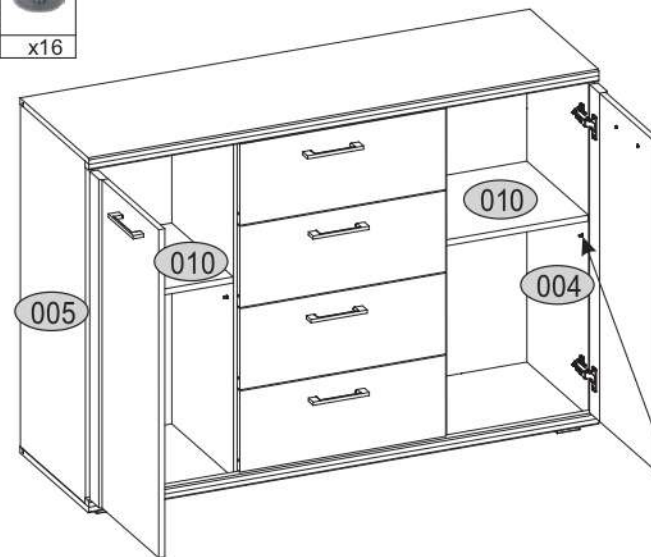
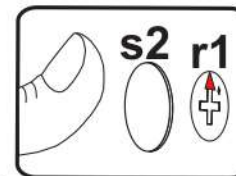
x4



14



15   
x16



d1